

BL-201-00-868 UP BROADCAST, EnOcean-DALI-Controller

Light controller with fixed functionality: DALI BROADCAST on single rocker, all ON/OFF/DIM

Part nr.:11042

Interfaces:

1x DALI Master, 1x EnOcean, supply voltage: 230V AC



DALI

The **BL-201-00-868 UP BROADCAST** EnOcean-DALI-Controller provides one DALI master and an integrated DALI power supply for the direct connection of up to 17 slaves (Iout max.= 34 mA), without a separate DALI power supply.

Also an EnOcean wireless transceiver is integrated. This allows the smart and easy integration and combination of DALI ballasts or DALI LED drivers and light switches with wireless EnOcean technology. The device is supplied by 230 V AC line voltage.

Up to 17 DALI ballasts can be switched and dimmed simultaneously via **DALI BROADCAST** with a single rocker as a fixed function.

Rocker: Switch and Dim

Technical data

Interfaces

Type	DALI Master
Number	1
Output current	Max. 34 mA (17 ballasts)
Output voltage	Typ. 16V DC (+/- 5%)
Galvanic isolation	Yes

Type	EnOcean
Number	1
Transmit / Receive frequency	868.0 MHz / ASK
Occupied frequency band	868.0 – 868.6 MHz
Maximum transmission power	Typ. 3 dBm @ 868.300 MHz
EN 300200 receiver category	2

User interfaces

Service button	Yes, 1, at the side
Service LED	1x, red

Housing / connectors

Connection technology	Screw contacts, max. 1,0mm ² flexible with cable end sleeves, or 1,5mm ² inflexible
Housing	UL-V0, black, for in-wall housing

Power supply

Supply voltage	230V AC
Power consumption	Typ. 1.4W, max 2.0W

Environmental conditions

Operating temperature	+5°..+50°C
Storage temperature	-20°..+70°C
Humidity	10..95% rel. Humidity, non-condensing
Protection class	IP20

Dimensions and weight

Weight	40g
Dimensions	51 x 51 x 33 mm

Standards / approvals

CE	2014/53/EU RED directive 2011/65/EU RoHS directive
Approvals / tests	EN 60950-1:2006 + A11:2009 + A1:2010 + A12:2011 + AC:2011 + A2:2013 ETSI EG 203 367 DIN/EN 55032 EN/IEC 61000-4-2 EN/IEC 61000-4-3 EN/IEC 61000-4-4 EN/IEC 61000-4-5 EN/IEC 61000-4-6

Table of supported EEP (EnOcean Equipment Profile)

Ref. nr.	EEP	Description
1	F6-02-01	Light and Blind Control - Application Style 1
2	F6-02-02	Light and Blind Control - Application Style 2
3	F6-02-03	Light Control - Application Style 1

Short description

Supply voltage

The BL-201-40-868 UP TUNABLE WHITE is supplied with 230 V AC line voltage.

DALI Master

The BL-201-40-868 UP TUNABLE WHITE provides a DALI master according to the DALI specification. In addition, a DALI power supply is integrated. Up to 17 slaves ($I_{max} = 34 \text{ mA}$) can be connected to the controller without an additional DALI power supply.

EnOcean

The integrated transceiver of type TCM310 is used to communicate with EnOcean light switches (RPS Telegram).

Service button / Service LED

The BL-201-40-868 UP TUNABLE WHITE offers a service button to teach in one or more light switches. By the red service LED, several status information will be displayed (see below).

Controller functions

BL-201-00-868 UP BROADCAST: Single rocker to control DALI ballasts ON / OFF / DIM via broadcast:

Push service button $\leq 1 \text{ sec.}$:	Sets BL-201-00-868 UP BROADCAST into learn-mode, service LED is steady on: EnOcean switch is pressed: Switch is paired with BL-201-00-868 UP BROADCAST
Push Service button $\geq 2 \text{ sec.}$:	Service-LED will turn on for $< 1 \text{ sec.}$: No more controller is paired with the BL-201
Keypress rocker top short:	Switch on all ballasts on DALI line
Keypress rocker bottom short:	Switch off all ballasts on DALI line

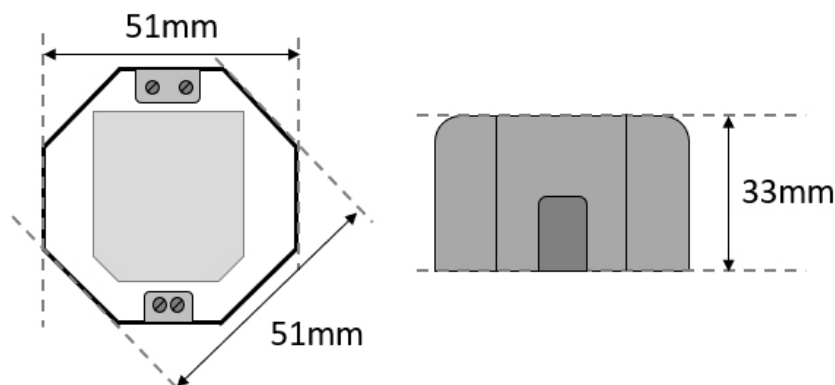
Keypress rocker top long:

Brighten of all DALI ballasts until key is released or 100% is reached.

Keypress rocker bottom long:

Dim of all DALI ballasts until key is released or 0% is reached.

Dimensions



Ordering information

Article text	Part number	Description
BL-201-00-868 UP BROADCAST	11042	EnOcean-DALI-Controller series BL-201 funktion: DALI Broadcast ON/OFF/DIM with single rocker 230V AC, 868MHz, in-wall housing

EU Declaration of Conformity

Hereby the DEUTA Controls GmbH declares that the radio equipment type **BL-201-00-868 UP BROADCAST** is compliant with the directive 2014/53/EU. You can download the complete EU Declaration of Conformity as a pdf-document on our homepage www.deuta-controls.de in the area Service/Downloads (Dok. EUDC2020_143).

Version 20, 08.04.2020