

# ZIGBEE MULTIFUNCTION RELAY SWITCH WITH METERING



Actuator



## Features

The Zigbee Multifunction Relay Switch with Metering enables users to control their garage door, gate, heater, power socket, boiler... It also allows the metering to make energy savings. It is easy to install on existing equipment to connect it and make it remotely controllable - requires a compatible home automation system - with a smartphone, by voice or automatically.



### HIGH SWITCHING CAPACITY

3.000W for controlling individual devices or collective (water heater, boiler...)



### METERING

Metering of instant and cumulated power to make energy savings



### POTENTIAL-FREE OUTPUT

The Relay Switch has a potential-free output



### ULTRA LOW PROFILE

Compact Relay Switch for installation in flush-mounted boxes



### INSTALLATION AT THE ELECTRICAL PANEL

DIN Rail Box needed\*



### UPDATE OVER THE AIR (OTA)

The relay switch is quick to update thanks to the OTA function. Updates can be carried out via a compatible home automation system and the NodOn Connect app



### COMPATIBLE WITH ALL ZIGBEE ECOSYSTEMS

Zigbee 3.0, this relay switch is 100% Zigbee interoperable

## Technical specifications

**Power supply:** 230V AC ~ 50Hz

**Switching capabilities:** 230V AC - 14A

**Consumption:** <1W

**Maximum output power:** 3.000W - Integrated zero crossing

**RF protocol:** Zigbee 3.0

**Radio frequency range:** 2.4 GHz

**RF power max:** +10dBm

**Range:** up to 40m indoors

**Operational temperature:**

The SIN withstands ambient temperatures :

- Between -20 and 40° in the open air.
- Between -20 and 35°C in a flush-mounted box.
- Between -20 and 40°C in the NodOn DRB (Din Rail Box).
- Between -20 and 40°C in the NodOn BPS (Surface-Mounted Box).

**Protection rating:** IP 20

**Device ID Type:** Smart Plug (0x0051)

**Commercial Warranty:** 2 years



The Zigbee Multifunction Relay Switch with Metering works only with a Zigbee compatible home automation system (automatic or remote control).

List of compatible home automation gateways available on [www.nodon.fr/en](http://www.nodon.fr/en)



## Renovation



## Comfort



## Installation



**N** Terminal for the Neutral

**L** Terminal for the Line

Input terminal for the wired switch\*\*

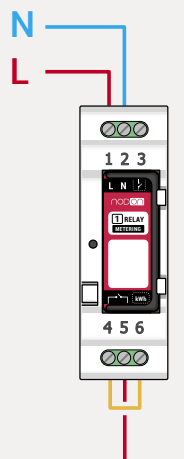
**kWh** Connect these 2 terminals with a shunt (included)

Line output terminal

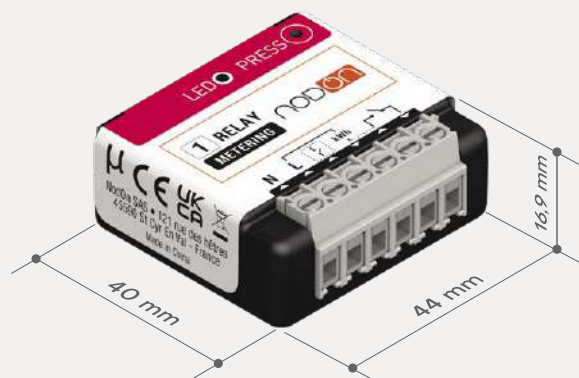
**Note:** Each terminal can accept a cable from 1.5mm<sup>2</sup> to 4mm<sup>2</sup> maximum, stripped of 8mm

\*\*Wired switch optional (see the installation diagrams section on the next page)

**\*Wiring of the Zigbee Multifunction+ Relay Switch in the DIN Rail Box**



## Dimensions

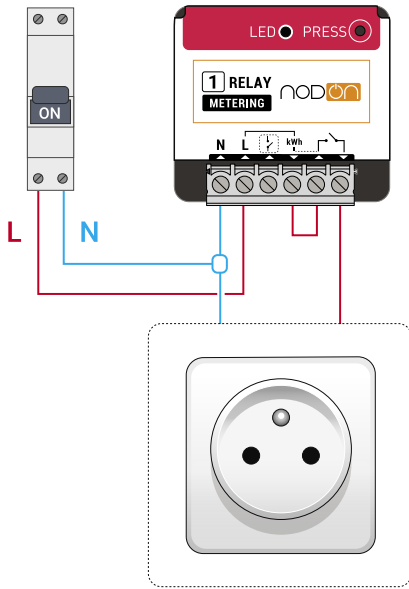


## Reference

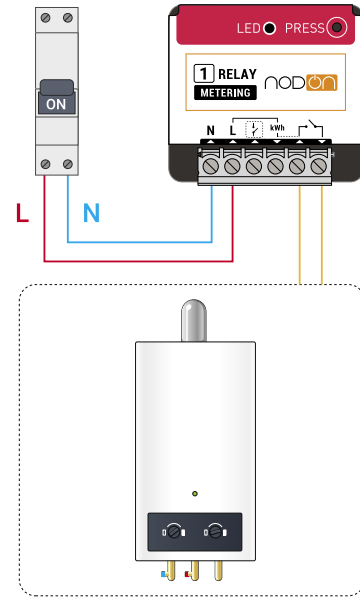
SIN-4-1-21  
EAN: 3700313925799

# Zigbee Multifunction Relay Switch wiring diagrams

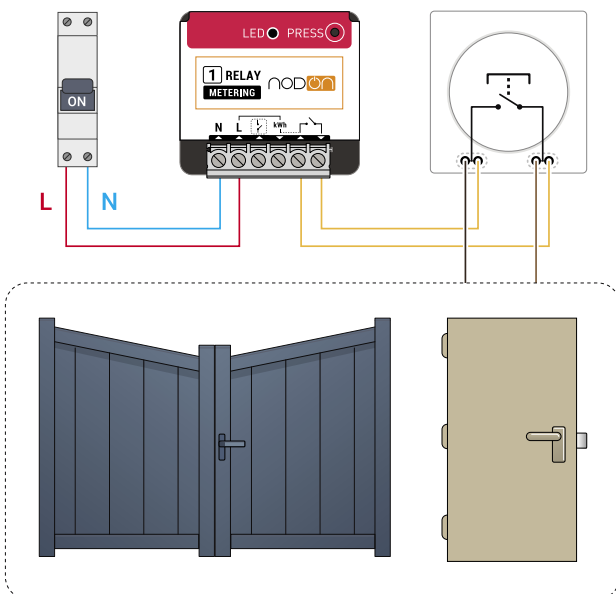
## Power socket



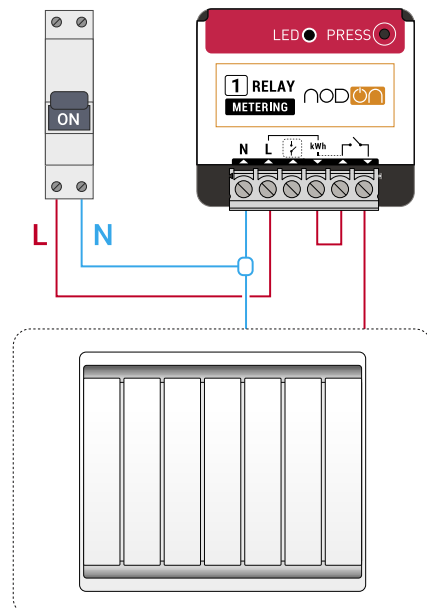
## Boiler



## Garage door/gate

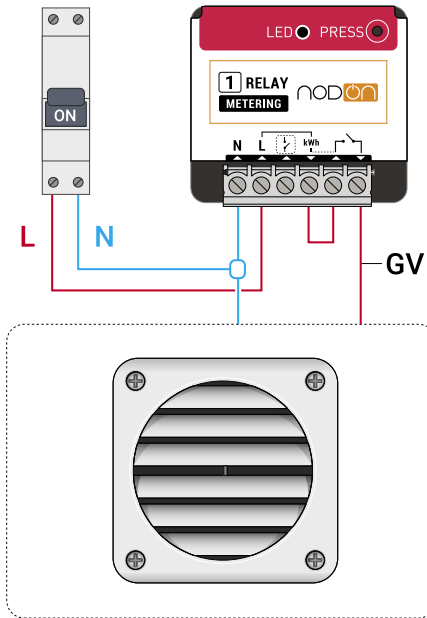


## Heater

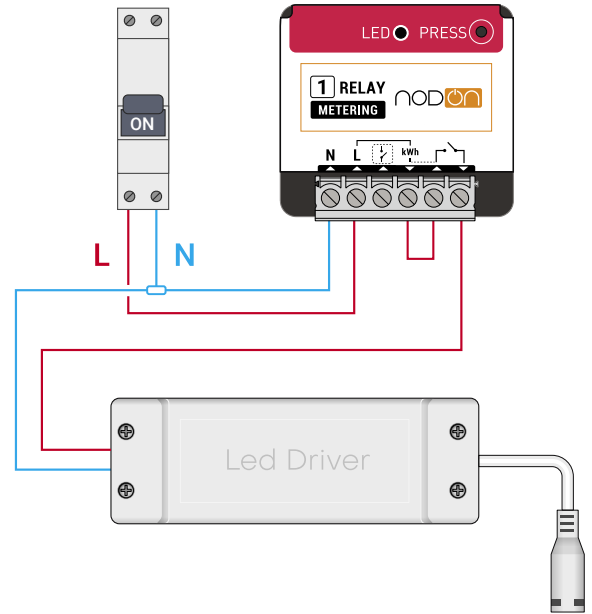


# Zigbee Multifunction Relay Switch wiring diagrams

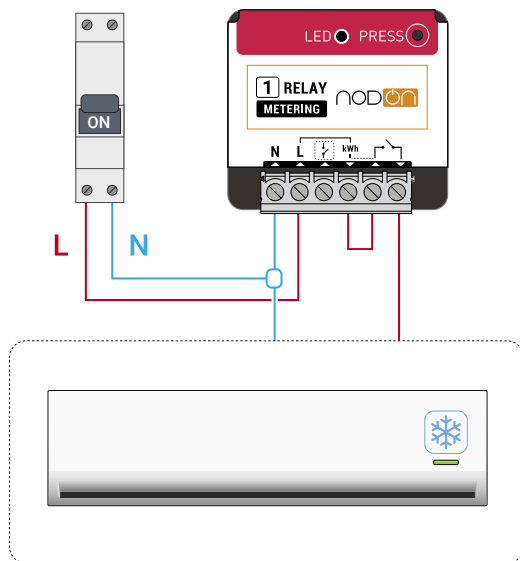
## CMV



## LED driver



## Air-conditioner



## Other wiring diagrams



Access all the wiring diagrams on  
[www.nodon.fr/en](http://www.nodon.fr/en)