

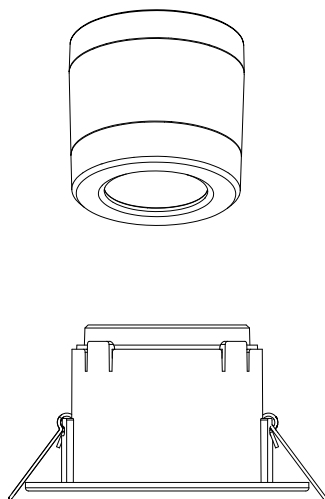


Ceiling Mounted AC MW Sensor

SR-IG9030D-MW-10A

Features

- Mesh network, which has a much longer control distance, transmits received signals to neighboring devices
- Supporting our kinetic energy switches and EnOcean switches EWSSB and EWSDB
- In typical indoor environment, the typical range for wireless communication is 20m to 25m . Actual range is dependent on field installation.
- On-board antenna
- 5 years warranty



* With Recessed-Mounted Kit

Parameters

Input & Output Characteristics

Operating voltage	220 ~240VAC 50/60Hz
Stand-by power	<0.5W
Relay	Max.10A, 400W LED

Safety & EMC

EMC standard (EMC)	EN55015, EN61000, EN61547
Safety standard (LVD)	EN60669-1, EN60669-2-1 AS/NZS60669-1/-2-1
RED	EN300328, EN301489-1/-17
Certification	ENEC, CE, EMC, RED, RCM

Sensing

Movement detection	Max.16m @ 3m height
Installation	Max.4m

Environment Parameters

Operation temperature	Ta: -20°C ~ +50 °C
IP rating	IP44 (Front-face) IP44 (With surface mount kit)

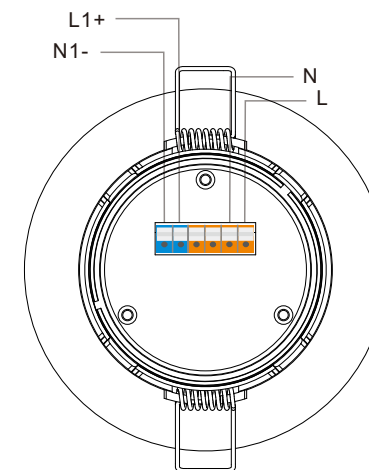
Mechanical Data

Dimension	φ90*52mm
Material	Flame-retardant/ABS
Protection Class	Class II

Connectors

Terminal block/Wire size	0.5mm ² - 2.5mm ² solid or stranded
Wire strip length	6-7mm

Product info

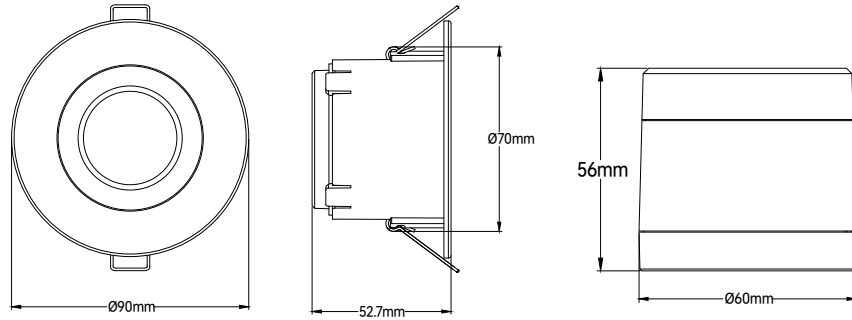




Ceiling Mounted AC PIR Sensor
SR-IG9032A-MW-10A



Dimension



Application

1. Power up the sensor. The load should come on immediately.

2. Vacate the room or remain very still and wait for the load to switch off.

3. Enter the room or make some movement and check that the load switches on.

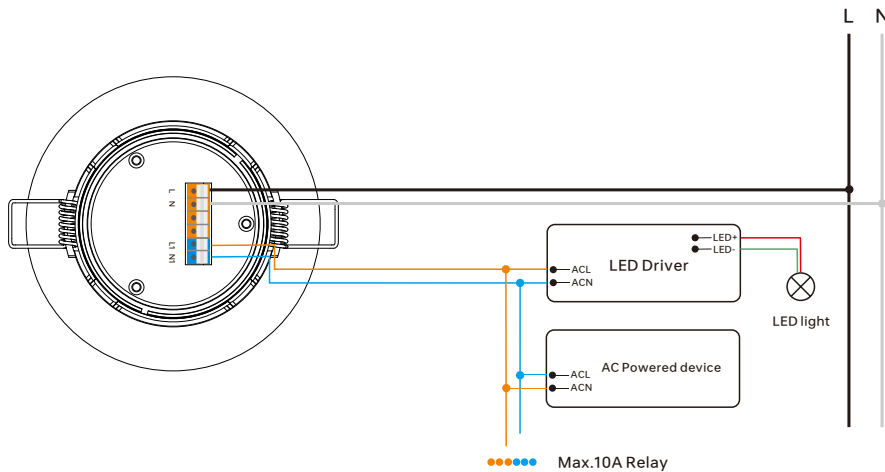
PRECAUTIONS

- Do not place the SENSOR near heat sources, fans or in ventilated ceiling voids.
- Do not place close to, or positioned such that, any light source points directly into the SENSOR.
- Ensure wires and cables are securely held within the connection terminals.
- Disconnect the SENSOR from the circuit before performing insulation testing of the wiring circuit.

Bend the springs up and push detector through hole in ceiling. When fully inserted the springs snap back to hold the device in place. To avoid injury, take care when bending springs.

Installation complete.

Wiring



Specification

ENERGY SAVINGS

- Occupancy/Vacancy detection

COMFORT & CONVENIENCE

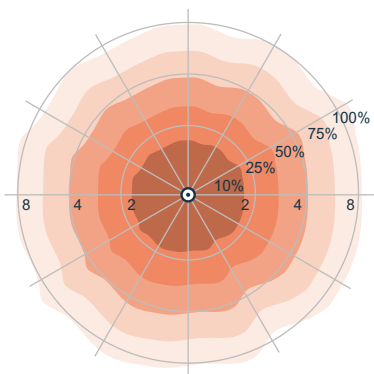
- Advanced occupancy detections
- Personalized setting profile
- Work with kinetic switch keypad



Ceiling Mounted AC PIR Sensor
SR-IG9032A-MW-10A

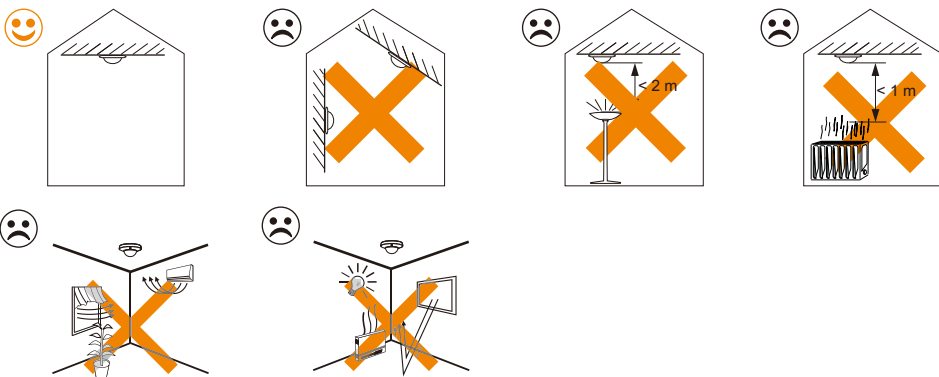


Detection Pattern



Ceiling Pattern (Unit: m)
Installation Height: 2-4m.

Demos



Warning

- DO NOT install with power applied to device.
- DO NOT expose the device to moisture.

Update Log

Date	Version	Update Content	Update by
2024-3-29	V1.1	Parameter Update	Romeo



Subject to change without notice. Please contact us if you have any questions.