

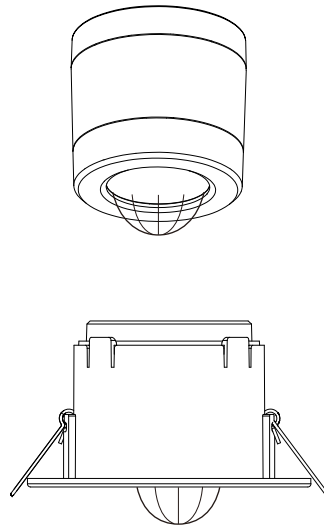


# Ceiling Mounted AC PIR Sensor

## SR-IG9030D-PIR-10A

### Features

- Mesh network, which has a much longer control distance, transmits received signals to neighboring devices
- Supporting our kinetic energy switches and EnOcean switches EWSSB and EWSDB
- In typical indoor environment, the typical range for wireless communication is 20m to 25m . Actual range is dependent on field installation.
- On-board antenna
- 5 years warranty



\* With Recessed-Mounted Kit

### Parameters

Input & Output Characteristics	
Operating voltage	220 ~240VAC 50/60Hz
Stand-by power	<0.5W
Relay	Max.10A, 400W LED

Safety & EMC	
EMC standard (EMC)	EN55015, EN61000, EN61547
Safety standard (LVD)	EN60669-1, EN60669-2-1 AS/NZS60669-1/-2-1
RED	EN300328, EN301489-1/-17
Certification	ENEC, CE , EMC, RED, RCM

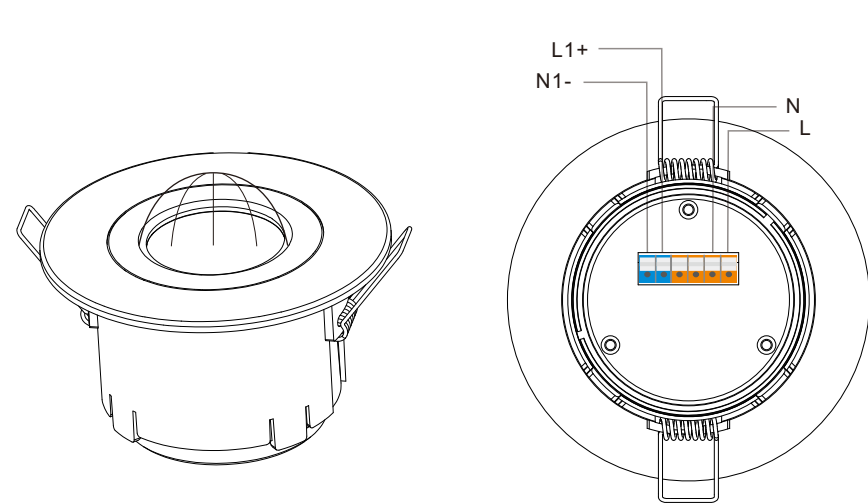
Sensing	
Movement detection	Max.8m @ 3m height
Installation	Max.5m

Environment Parameters	
Operation temperature	Ta: -20°C ~ +50 °C
IP rating	IP44 ( Front-face ) IP44 (With surface mount kit)

Mechanical Data	
Dimension	φ90*52mm
Material	Flame-retardant/ABS
Protection Class	Class II

Connectors	
Terminal block/Wire size	0.5mm <sup>2</sup> - 2.5mm <sup>2</sup> solid or stranded
Wire strip length	6-7mm

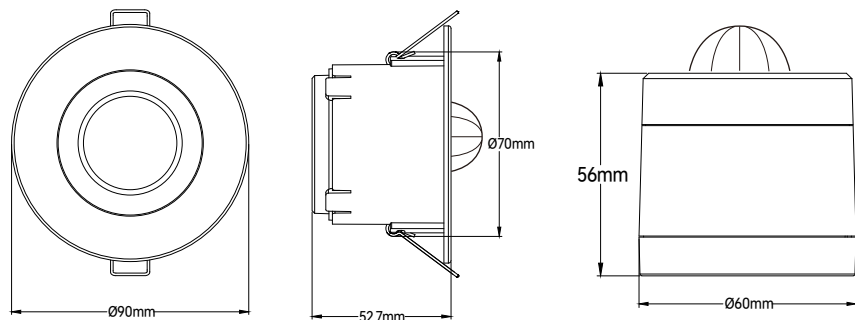
### Product info



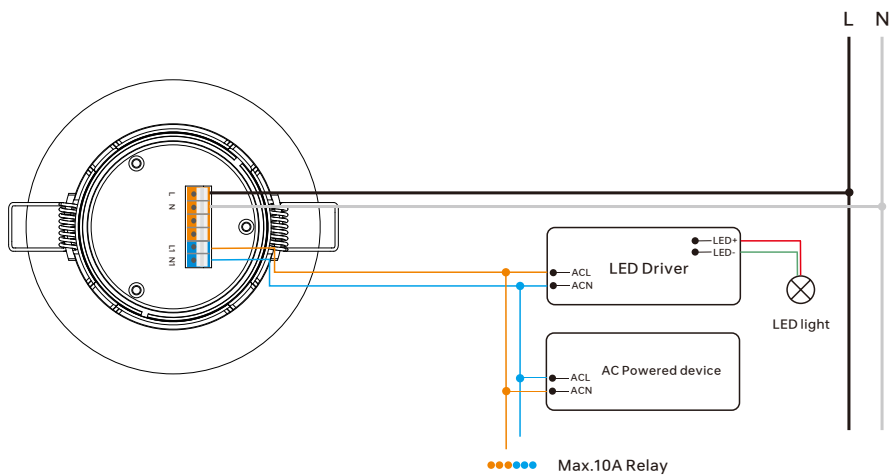


**Ceiling Mounted AC PIR Sensor**  
SR-IG9032A-PIR-10A

**Dimension**



**Wiring**



**Application**

1. Power up the sensor. The load should come on immediately.

2. Vacate the room or remain very still and wait for the load to switch off.

3. Enter the room or make some movement and check that the load switches on.

**PRECAUTIONS**

- Do not place the SENSOR near heat sources, fans or in ventilated ceiling voids.
- Do not place close to, or positioned such that, any light source points directly into the SENSOR.
- Ensure wires and cables are securely held within the connection terminals.
- Disconnect the SENSOR from the circuit before performing insulation testing of the wiring circuit.

Bend the springs up and push detector through hole in ceiling. When fully inserted the springs snap back to hold the device in place. To avoid injury, take care when bending springs.

Installation complete.

**Specification**

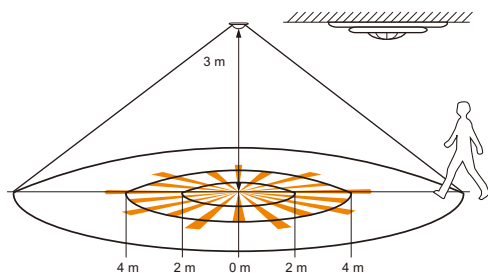
- |   |  |
|---|--|
| <p><b>ENERGY SAVINGS</b></p> <ul style="list-style-type: none"> <li>Occupancy/Vacancy detection</li> </ul>  | <p><b>COMFORT &amp; CONVENIENCE</b></p> <ul style="list-style-type: none"> <li>Advanced occupancy detections</li> <li>Personalized setting profile</li> <li>Work with kinetic switch keypad</li> </ul> |
| <p><b>ENVIRONMENT &amp; APPROBATION</b></p> <ul style="list-style-type: none"> <li>Operating temperature: 0°C to 45°C</li> <li>Warranty: 5 years</li> </ul> |  |



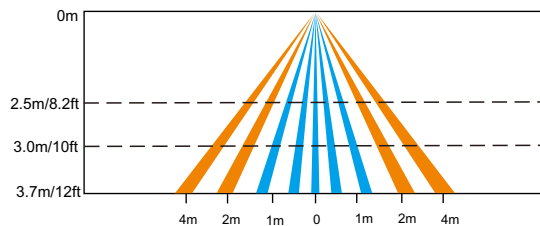
**Ceiling Mounted AC PIR Sensor**  
SR-IG9032A-PIR-10A



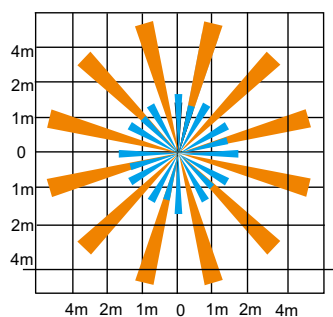
**Detection Pattern**



Coverage Side View



Coverage Top View



The detection area for movement can be roughly divided into two parts:

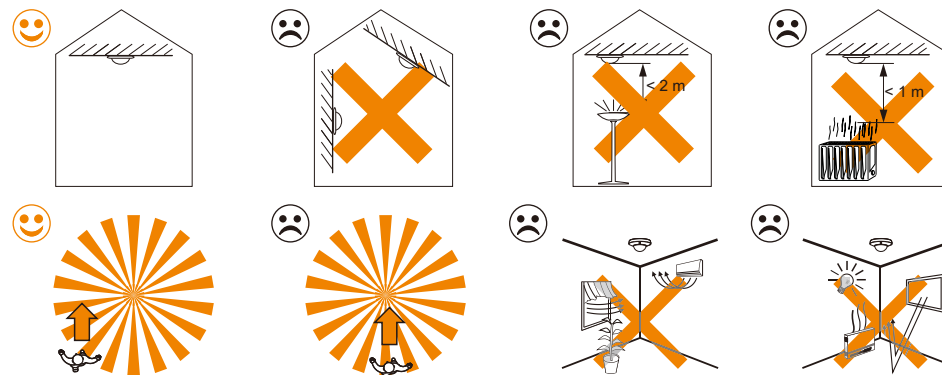
- █ Slow movement (person moving <math>< 1.0'/s</math> or <math>0.3m/s</math>)
- █ Quick movement (person moving > <math>1.3'/s</math> or <math>0.4m/s</math>)

**Warning**

- DO NOT install with power applied to device.
- DO NOT expose the device to moisture.



**Demos**



**Update Log**

Date	Version	Update Content	Update by
2024-3-29	V1.0	Initial Version	Romeo



Subject to change without notice. Please contact us if you have any questions.