



0-10V Fixture-integrated Microwave Sensor Controller

SR-IG9032A-MW-V

Features

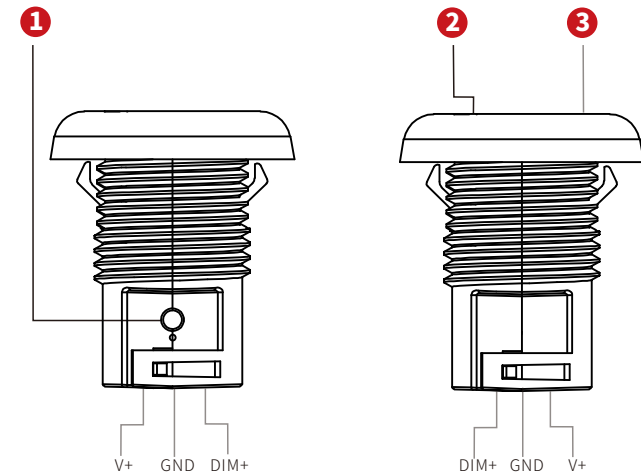
- Built-in 20mA 0-10V signal output
- Mesh network, which has a much longer control distance, transmits received signals to neighboring devices
- All devices on 0-10V line are broadcast controlled by mobile application
- Supporting our kinetic energy switches and EnOcean switches EWSSB and EWSDB
- In typical indoor environment, the typical range for wireless communication is 20m to 25m . Actual range is dependent on field installation.
- Standby power consumption less than 0.5W, meet latest ERP regulation
- Available with Magnetic reset (Touch the top part of sensor for 5 seconds)
- On-board antenna
- Waterproof grade: IP20
- 5 years warranty



Parameters

Input	Power	12-24VDC
	Signal	Bluetooth
Output, 0/1-10V	Current	Max. 20mA
Control	Dimming Curve	Logarithmic
	Dimming Method	PWM
Environment	Operating Temperature	0°C~+45°C
	Relative Humidity	8% to 80%
Others	Size	See dimensions

Product info



- ① Reset Key: Press it to help withdraw the device from the internet/APP, LED flashes quickly indicates success.
- ② Indicator: Turns RED when movement has been detected.
- ③ Light sensor: Ambient light detection and daylight harvesting.

Note: V+: Power supply, GND: Common port for V- & Dim- , DIM+: 0-10V signal port, represents 10V



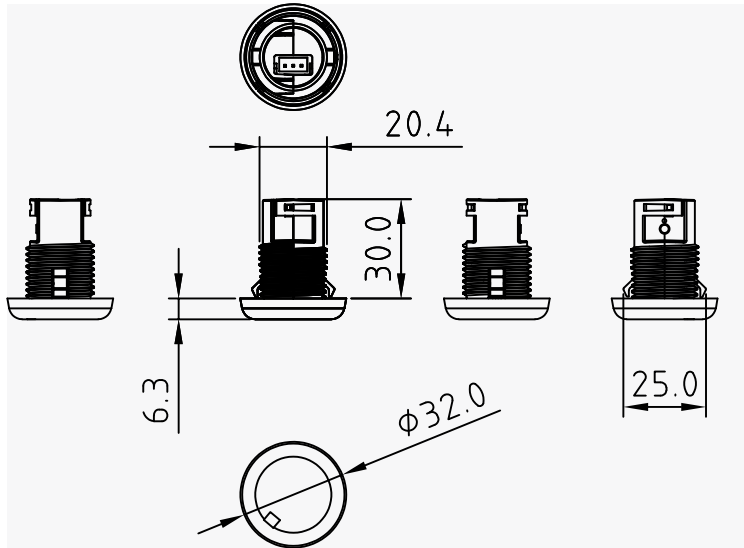


0-10V Fixture-integrated Microwave Sensor Controller

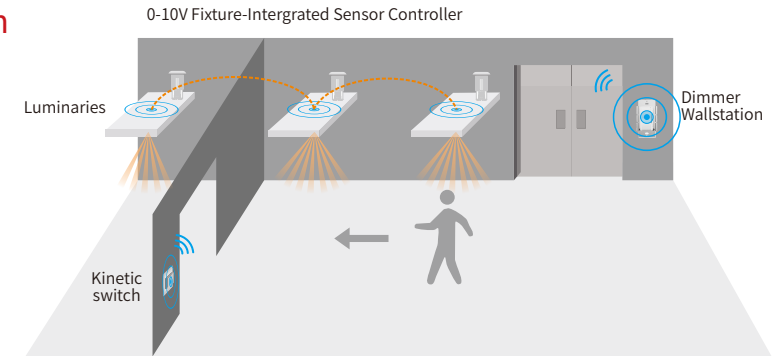
SR-IG9032A-MW-V



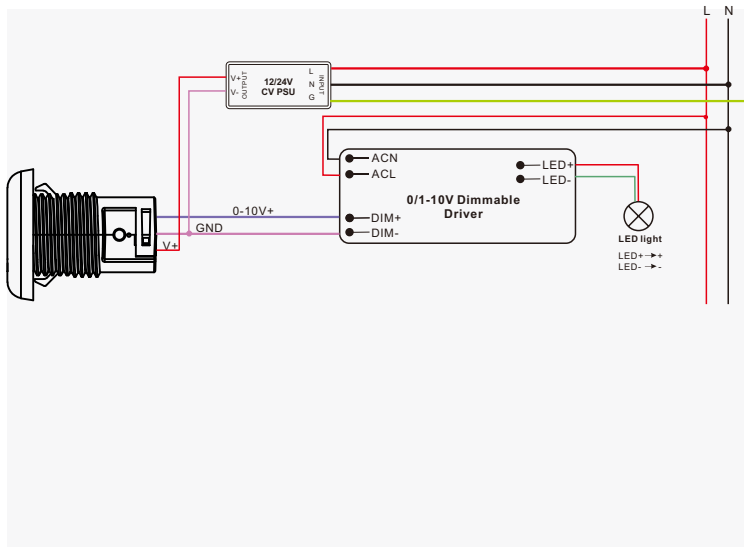
Dimension



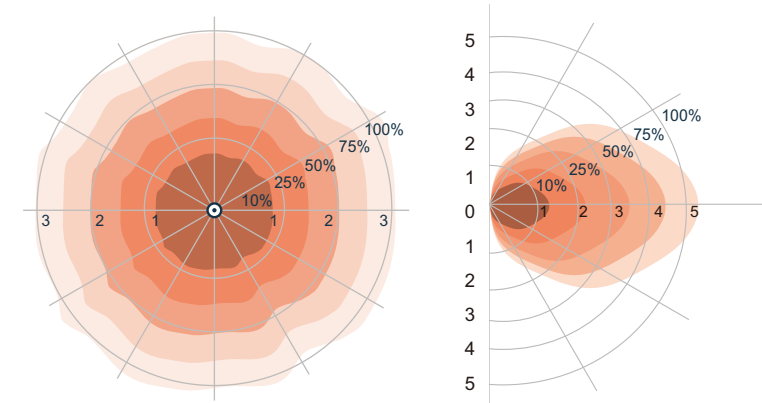
Application



Wiring



Detection Pattern



Ceiling Pattern (Unit: m)
Installation Height: 2-4m, max. 6m

Wall Pattern (Unit: m)



0-10V Fixture-integrated Microwave Sensor Controller

SR-IG9032A-MW-V



Specification

ENERGY SAVINGS

- Daylight harvesting
- Occupancy/Vacancy detection

COMFORT & CONVENIENCE

- Advanced occupancy detections
- Personalized setting profile
- Work with kinetic switch keypad

SENSING

- Mounting height: 2.5m
- Detection area diameter: 10m @ 2.5m height

ENVIRONMENT & APPROBATION

- Operating temperature: 0°C to 45°C
- Agency approbations: UL Listed /FCC/ RoHS/ BQB...
- Warranty: 5 years

Operation

- Do wiring according to connection diagram.
- Press and hold down the “Reset” button on the controller over 5 seconds until the indicator flashes , which means it has been reset.
- Available with Magnetic reset(Touch the top part of sensor for 5 seconds).

Warning

- DO NOT install with power applied to device.
- DO NOT expose the device to moisture.

Update Log

Date	Version	Update Content	Update by
2024-4-29	V1.0	Initial Version	Romeo



Subject to change without notice. Please contact us if you have any questions.