

SURFACE MOUNTING BOX



Features

The Surface Mounting Box allows for quick and easy integration of the connected module while protecting it from small splashes of water thanks to its IP44 standard.



IP 44 RATING

The Surface Mounting Box is IP44 certified, which makes it safe for use in damp rooms



COMPATIBLE WITH NODON MODULES

The Surface Mounting Box is compatible with all our SIN type modules (supplied with a cable compatible with most uses).



MODULE ASSEMBLY/QUICK CONNECTION

The module is quickly fixed in the Surface Mounting Box by means of the inner notches and the outer cover and the outer cover

Technical specifications

Operational temperature: 0°C to 40°C

Protection rating: IP 44

Dimension: 80 mm (l) x 93 mm (L) x 29.5 mm (h)

Cable supplied: 4x1.5 length 1.40 m

Weight: 100g excluding module and cable

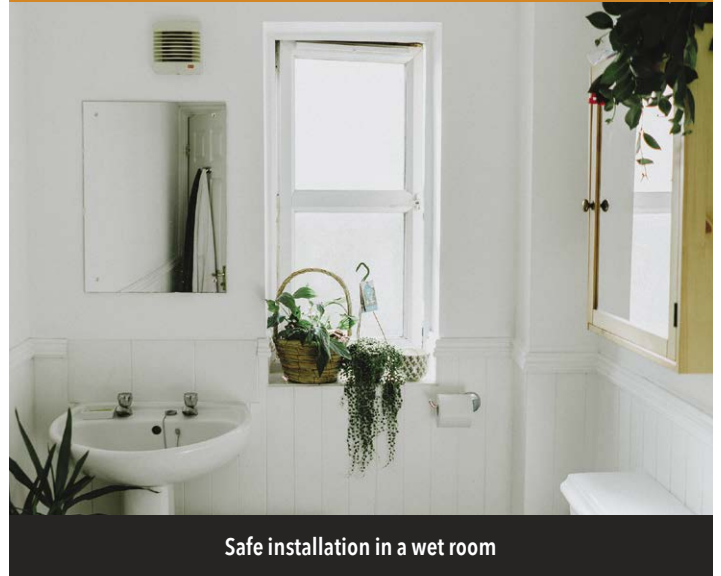
Warranty: 2 years

Efficiency



Easy access to the module once the box is installed

Renovation

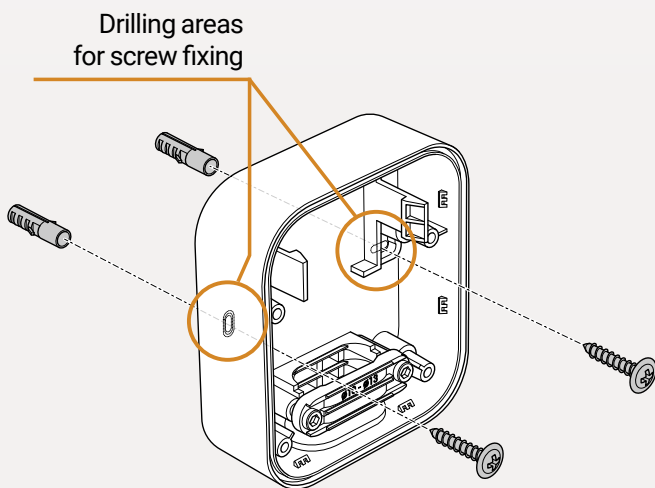


Safe installation in a wet room


Content



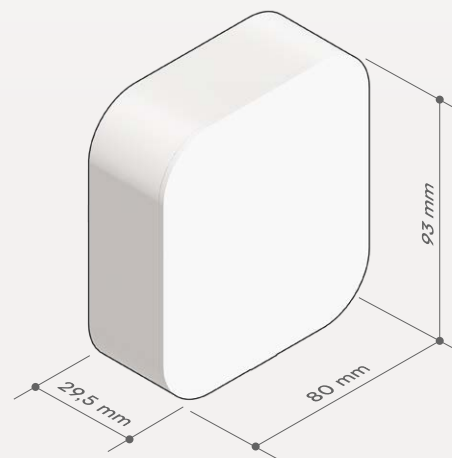
Installation



Fixings not included

 Drill through the inside of the housing

Dimensions



Reference

BPS-1-1-00
EAN: 3700313925683